



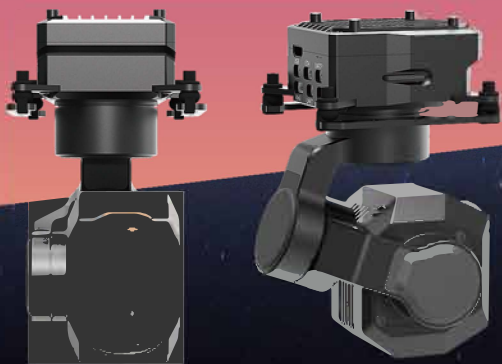
# Z-2 Mini

Intelligent 4K Full-color  
Night Vision Dual-sensor Gimbal

4K+Full-color Night

Thermal

AI Multi-object Detection & Tracking



Micro 3-axis Nonorthogonal  
Mechanical Stabilized Structure  
Total Weight Is 110g

## General

Dimensions	59 x 48.4 x 85.7mm
Weight	110g
Operating Voltage	10 ~ 26.4VDC
Power	6.5W (AVG) / 20W (Stall)

## Gimbal

Gimbal Type	3-axis Nonorthogonal Mechanical Stabilization
Angular Accuracy	±0.01°
Controllable Range	Pitch: -135°~ +100°, Roll: ±50°, Yaw: ±150°
Max Controllable Speed	±200°/s

## Fixed Camera

Image Sensor	1/2.8"CMOS; Effective Pixels: 8.29M
Lens	Actual Focal Length: 6.0mm (Equivalent focal length: 34.4mm)
Resolution	3840 (H) x 2160 (V)
Pixel Size	1.45µm (H) x 1.45µm (V)
Equivalent Digital Zoom Rate	8x

## Thermal Camera

Thermal Sensor	Uncooled VOx Microbolometer
Lens	Actual Focal Length: 10.0mm (Equivalent focal length: 95.5mm)
Resolution	256 (H) x 192 (V)
Pixel Size	12µm (H) x 12µm (V)
Spectral Band	8~14µm
Sensitivity (NETD)	<50mk@25°C

## AI Multi-object Detection & Tracking

Object Size	16x16~128x128 px
Object Identification Delay	<40ms
Tracking Speed	±32px / field
Tracking Deviation Refresh Rate	30Hz
Tracking Deviation Output Delay	≤5ms

## Image & Video

Image Format	JPEG
Maximum Image Resolution	3840x2160
EXIF	Shooting point coordinate
Video Format	MP4
Maximum Video Resolution	Stream: 1920 x 1080 @30fps, Recording: 3840 x 2160 @30ps
Stream Encode Format	H.264, H.265
Stream Network Protocol	RTSP

## Storage

Supported SD Cards	Supports a Speed Class 10 MicroSD card with a capacity of up to 256GB
--------------------	---

## Environment

Operating Temperature	-20°C~50°C
Storage Temperature	-40°C~60°C
Operating Humidity	≤85%RH (Non-condensing)